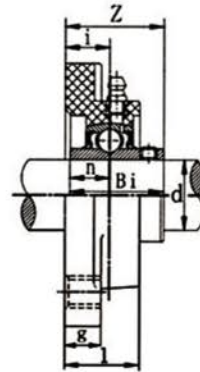
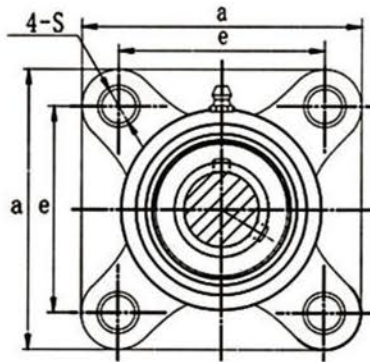


材料：PBT      Material: PBT  
 实心底      Solid bottom  
 标准不锈钢油嘴      Standard stainless steel grease nipple



SR type seal



TRL type seal

带座轴承代号 Bearing unit	轴径 Shaft Dia.	外形尺寸 (英寸) 或 (毫米) Dimensions(in)or(mm)										螺栓 Bolt used	扭矩 Torque	轴承代号 Bearing	座代号 Housing	座重量 Housing weight
No.	d	a	e	g	l	S	Z	i	Bi	n	No.	No.				
	(in) (mm)										(mm) (in.)	(N.m)			(Kg)	
UCFPL201	12												SUC 201			
201-8	1/2												201-8			
UCFPL202-9	9/16	3 25/64	2 1/2	17/32	1 3/32	7/16	1 27/64	45/64	1.2205	0.5000	M10 3/8	18	SUC 202-9	FPL203	0.12	
202	15												202			
202-10	5/8	86	63.5	13.4	27.8	11	36.3	18	31.0	12.7			202-10			
UCFPL203	17												SUC 203			
203-11	1 1/16												203-11			
UCFPL204-12	3/4	3 25/64	2 1/2	17/32	1 3/32	7/16	1 27/64	45/64	1.2205	0.5000	M10 3/8	18	SUC 204-12	FPL204	0.12	
204	20	86	63.5	13.4	27.8	11	36.3	18	31.0	12.7			204			
UCFPL205-14	7/8												SUC 205-14			
205-15	15/16	3 47/64	2 3/4	35/64	1 7/64	7/16	1 7/16	43/64	1.3386	0.5630			205-15			
205	25	95	70	14	28	11	36.7	17	34.1	14.3	M10 3/8	25	205	FPL205	0.15	
205-16	1												205-16			
UCFPL206-17	1 1/16												SUC 206-17			
206-18	1 1/8												206-18			
206	30	4 7/32	3 17/64	9/16	1 15/64	7/16	1 5/8	3/4	1.5000	0.6260			206	FPL206	0.18	
206-19	1 3/16	107	83	14.3	31.5	11	41.4	19.2	38.1	15.9	M10 3/8	30	206-19			
206-20	1 1/4												206-20			
UCFPL207-20	1 1/4												SUC 207-20			
207-21	1 5/16												207-21			
207-22	1 3/8	4 41/64	3 5/8	39/64	1 3/8	33/64	1 27/32	27/32	1.6890	0.6890			207-22			
207	35	118	92	15.5	34.8	13	46.9	21.5	42.9	17.5	M12 7/16	35	207	FPL207	0.26	
207-23	1 7/16												207-23			
UCFPL208-24	1 1/2												SUC 208-24			
208-25	1 9/16	5 1/8	4 1/64	43/64	1 15/32	35/64	2 3/32	29/32	1.9370	0.7480			208-25	FPL208	0.33	
208	40	130	102	17	37.5	14	53.2	23	49.2	19.0	M12 7/16	40	208			
UCFPL209-26	1 5/8												SUC 209-26			
209-27	1 11/16	5 25/64	4 9/64	3/4	1 39/64	43/64	2 9/64	15/16	1.9370	0.7480			209-27			
209-28	1 3/4												209-28	FPL209	0.42	
209	45	137	105	19	41	17	54.2	24	49.2	19.0	M16 5/8	45	209			
UCFPL210-30	1 7/8												SUC 210-30			
210-31	1 15/16	5 5/8	4 3/8	53/64	1 11/16	43/64	2 17/64	63/64	2.0315	0.7480			210-31	FPL210	0.51	
210	50	143	111	21	43	17	57.6	25	51.6	19.0	M16 5/8	50	210			