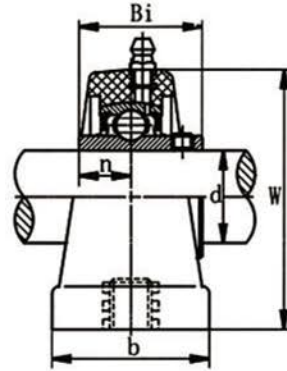
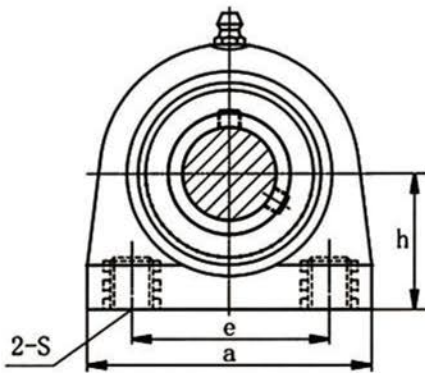


材料：PBT

实心底  
标准不锈钢油嘴

Material: PBT

Solid bottom  
Standard stainless steel grease nipple



SR type seal



TRL type seal

| 带座轴承代号<br>Bearing unit | 轴径<br>Shaft Dia. | 外形尺寸 (英寸) 或 (毫米)<br>Dimensions (in) or (mm) |         |       |     |         |         |        |        |     |     | 螺栓<br>Bolt used | 扭矩<br>Torque | 轴承代号<br>Bearing | 座代号<br>Housing | 座重量<br>Housing weight |
|------------------------|------------------|---|---------|-------|-----|---------|---------|--------|--------|-----|-----|-----------------|--------------|-----------------|----------------|-----------------------|
| No.                    | d                | h   | a       | e     | S   | b       | W       | Bi     | n      | No. | No. | (mm)            | (N.m)        |                 |                | (Kg)                  |
|                        | (in)             | (mm)  |         |       |     |         |         |        |        |     |     |                 |              |                 |                |                       |
| UCPL 201               | 12               |   |         |       |     |         |         |        |        |     |     |                 |              | SUC 201         |                |                       |
| 201-8                  | 1/2              |   |         |       |     |         |         |        |        |     |     |                 |              | 201-8           |                |                       |
| UCPL 202-9             | 9/16             | 5/8   |         |       |     |         |         |        |        |     |     |                 |              | SUC 202-9       |                |                       |
| 202                    | 15               | 1 5/16                                      | 2 55/64 | 2     | M8  | 1 23/64 | 2 19/32 | 1.2205 | 0.5000 |     |     | M8              | 18           | 202             | PL203          | 0.13                  |
| 202-10                 | 5/8              | 33.3  | 72.8    | 50.8  |     | 34.5    | 66      | 31.0   | 12.7   |     |     |                 |              | 202-10          |                |                       |
| UCPL 203               | 17               |   |         |       |     |         |         |        |        |     |     |                 |              | SUC 203         |                |                       |
| 203-11                 | 1 1/16           |   |         |       |     |         |         |        |        |     |     |                 |              | 203-11          |                |                       |
| UCPL 204-12            | 3/4              | 1 5/16                                      | 2 55/64 | 2     | M8  | 1 23/64 | 2 19/32 | 1.2205 | 0.5000 |     |     | M8              | 18           | SUC 204-12      | PL204          | 0.13                  |
| 204                    | 20               | 33.3  | 72.8    | 50.8  |     | 34.5    | 66      | 31.0   | 12.7   |     |     |                 |              | 204             |                |                       |
| UCPL 205-14            | 7/8              |   |         |       |     |         |         |        |        |     |     |                 |              | SUC 205-14      |                |                       |
| 205-15                 | 15/16            | 1 7/16                                      | 3       | 2     | M10 | 1 9/16  | 2 57/64 | 1.3386 | 0.5630 |     |     | M10             | 25           | 205-15          | PL205          | 0.15                  |
| 205                    | 25               | 36.5  | 76.2    | 50.8  |     | 39.5    | 73.5    | 34.1   | 14.3   |     |     |                 |              | 205             |                |                       |
| 205-16                 | 1                |   |         |       |     |         |         |        |        |     |     |                 |              | 205-16          |                |                       |
| UCPL 206-17            | 1 1/16           |   |         |       |     |         |         |        |        |     |     |                 |              | SUC 206-17      |                |                       |
| 206-18                 | 1 1/8            | 1 11/16                                     | 3 31/32 | 3     | M10 | 1 43/64 | 3 5/16  | 1.5000 | 0.6260 |     |     |                 |              | 206-18          |                |                       |
| 206                    | 30               | 42.9  | 101     | 76.2  |     | 42.5    | 84      | 38.1   | 15.9   |     |     | M10             | 30           | 206             | PL206          | 0.24                  |
| 206-19                 | 1 3/16           |   |         |       |     |         |         |        |        |     |     |                 |              | 206-19          |                |                       |
| 206-20                 | 1 1/4            |   |         |       |     |         |         |        |        |     |     |                 |              | 206-20          |                |                       |
| UCPL 207-20            | 1 1/4            |   |         |       |     |         |         |        |        |     |     |                 |              | SUC 207-20      |                |                       |
| 207-21                 | 1 5/16           | 1 7/8                                       | 4 21/64 | 3 1/4 | M10 | 1 7/8   | 3 47/64 | 1.6890 | 0.6890 |     |     |                 |              | 207-21          |                |                       |
| 207-22                 | 1 3/8            |   |         |       |     |         |         |        |        |     |     | M10             | 35           | 207-22          | PL207          | 0.28                  |
| 207                    | 35               | 47.6  | 110     | 82.6  |     | 47.5    | 95      | 42.9   | 17.5   |     |     |                 |              | 207             |                |                       |
| 207-23                 | 1 7/16           |   |         |       |     |         |         |        |        |     |     |                 |              | 207-23          |                |                       |
| UCPL 208-24            | 1 1/2            |   |         |       |     |         |         |        |        |     |     |                 |              | SUC 208-24      |                |                       |
| 208-25                 | 1 9/16           | 1 15/16                                     | 4 23/32 | 3 1/2 | M12 | 1 57/64 | 3 61/64 | 1.9370 | 0.7480 |     |     |                 |              | 208-25          | PL208          | 0.39                  |
| 208                    | 40               | 49.2  | 120     | 88.9  |     | 48      | 100.5   | 49.2   | 19.0   |     |     | M12             | 45           | 208             |                |                       |
| UCPL 209-26            | 1 5/8            |   |         |       |     |         |         |        |        |     |     |                 |              | SUC 209-26      |                |                       |
| 209-27                 | 1 11/16          | 2 1/8                                       | 4 7/8   | 3 3/4 |     | 2 1/8   | 4 7/32  | 1.9370 | 0.7480 |     |     |                 |              | 209-27          |                |                       |
| 209-28                 | 1 3/4            |   |         |       |     |         |         |        |        |     |     | M12             | 50           | 209-28          | PL209          | 0.47                  |
| 209                    | 45               | 54  | 124     | 95.3  |     | 54      | 107     | 49.2   | 19.0   |     |     |                 |              | 209             |                |                       |
| UCPL 210-30            | 1 7/8            |   |         |       |     |         |         |        |        |     |     |                 |              | SUC 210-30      |                |                       |
| 210-31                 | 1 15/16          | 2 1/4                                       | 5 5/16  | 4     | M16 | 2 1/8   | 4 17/32 | 2.0315 | 0.7480 |     |     |                 |              | 210-31          | PL210          | 0.56                  |
| 210                    | 50               | 57.2  | 135     | 101.6 |     | 54      | 115     | 51.6   | 19.0   |     |     | M16             | 55           | 210             |                |                       |