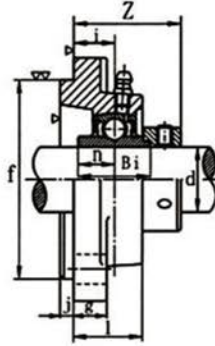
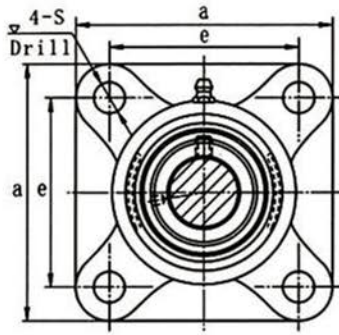


凸台圆形座 HCFS 300 Piloted Round Housings HCFS 300



SR type seal



TRL type seal

带座轴承代号 轴径
Bearing Unit Shaft Dia

外形尺寸 (英寸) 或 (毫米)
Dimensions(in)or(mm)

螺栓 轴承代号 座代号 重量
Bolt Used Bearing Housing Weight

No.	d	a	e	i	g	j	S	l	f	Z	Bi	n	No.	No.
	(in.)(mm)												(mm)(in.)	
HCFS305	25	4 ^{21/64}	3 ^{5/32}	23/64	33/64	9/32	5/8	55/64	3.1496	1 ^{35/64}	1.3740	0.6575	HC 305	
305-16	1	110	80	9	13	7	16	22	80	39.1	34.9	16.7	M14 1/2	FS 305 1.4
HCFS306-18	1 1/8												HC 306-18	
306	30	4 ^{59/64}	3 ^{47/64}	25/64	19/32	5/16	5/8	15/16	3.5433	1 ^{43/64}	1.4370	0.6890	M14 1/2	FS 306 2.0
306-20	1 1/4	125	95	10	15	8	16	24	90	42.5	36.5	17.5		306-20
HCFS307-20	1 1/4												HC 307-20	
307-22	1 3/8	5 ^{5/16}	3 ^{15/16}	7/16	5/8	23/64	3/4	1 ^{1/16}	3.9370	1 ^{3/4}	1.5000	0.7205	M16 5/8	FS 307 2.4
307	35	135	100	11	16	9	19	27	100	44.3	38.1	18.3		307
HCFS308-24	1 1/2												HC 308-24	
308	40	5 ^{29/32}	4 ^{13/32}	33/64	43/64	25/64	3/4	1 ^{7/16}	4.5276	1 ^{63/64}	1.6260	0.7795	M16 5/8	FS 308 3.4
HCFS309-28	1 3/4												HC 309-28	
309	45	6 ^{19/64}	4 ^{59/64}	35/64	45/64	7/16	3/4	1 ^{19/64}	4.9213	2 ^{5/64}	1.6890	0.7795	M16 5/8	FS 309 4.2
HCFS310-31	1 5/16												HC 310-31	
310	50	6 ^{57/64}	5 ^{13/64}	5/8	3/4	15/32	29/32	1 ^{27/64}	5.5118	2 ^{9/32}	1.9370	0.9685	M20 3/4	FS 310 5.5
310-32	2	175	132	16	19	12	23	36	140	58	49.2	24.6		310-32
HCFS311-32	2												HC 311-32	
311	55	7 ^{9/32}	5 ^{33/64}	43/64	25/32	33/64	29/32	1 ^{17/32}	5.9055	2 ^{29/64}	2.1890	1.0945	M20 3/4	FS 311 6.5
HCFS312-36	2 1/4												HC 312-36	
312	60	7 ^{43/64}	5 ^{29/32}	3/4	55/64	35/64	29/32	1 ^{21/32}	6.2992	2 ^{21/32}	2.4370	1.2185	M20 3/4	FS 312 7.5
HCFS313-40	2 1/2												HC 313-40	
313	65	8 ^{3/16}	6 ^{17/32}	19/32	55/64	45/64	29/32	1 ^{37/64}	6.8897	2 ^{11/16}	2.5630	1.2795	M20 3/4	FS 313 9.3
HCFS314-44	2 3/4												HC 314-44	
314	70	8 ^{57/64}	7	45/64	63/64	45/64	63/64	1 ^{11/16}	7.2834	2 ^{63/64}	2.6890	1.3445	M22 7/8	FS 314 11
HCFS315	75												HC 315	
315-48	3	9 ^{9/32}	7 ^{1/4}	53/64	63/64	45/64	63/64	1 ^{57/64}	7.874	3 ^{19/64}	2.9370	1.4685	M22 7/8	FS 315 13
HCFS316	80												HC 316	
316-50	3 1/8	9 ^{27/32}	7 ^{23/32}	45/64	1 ^{1/16}	25/32	1 ^{7/32}	1 ^{57/64}	8.2677	3 ^{19/64}	3.1890	1.5945	M27 1	FS 316 16
HCFS317-52	3 1/4												HC 317-52	
317	85	10 ^{15/64}	8 ^{1/32}	15/16	1 ^{1/16}	25/32	1 ^{7/32}	2 ^{1/8}	8.6614	3 ^{39/64}	3.3110	1.6535	M27 1	FS 317 19
HCFS318-56	3 1/2												HC 318-56	
318	90	11 ^{1/32}	8 ^{1/2}	15/16	1 ^{3/16}	25/32	1 ^{3/8}	2 ^{13/64}	9.4488	3 ^{51/64}	3.4370	1.7165	M30 1 1/8	FS 318 23
HCFS319	95												HC 319	
		11 ^{27/64}	8 ^{31/32}	1 ^{17/32}	1 ^{3/16}	25/32	1 ^{3/8}	3 ^{29/32}	9.8425	3 ^{33/64}	3.6890	1.8425	M30 1 1/8	FS 319 26
HCFS320	100												HC 320	
320-64	4	12 ^{13/64}	9 ^{17/32}	1 ^{17/32}	1 ^{17/64}	25/32	1 1/2	3 ^{29/32}	10.2362	4 ^{5/8}	3.9370	1.9685	M33 1 1/4	FS 320 32