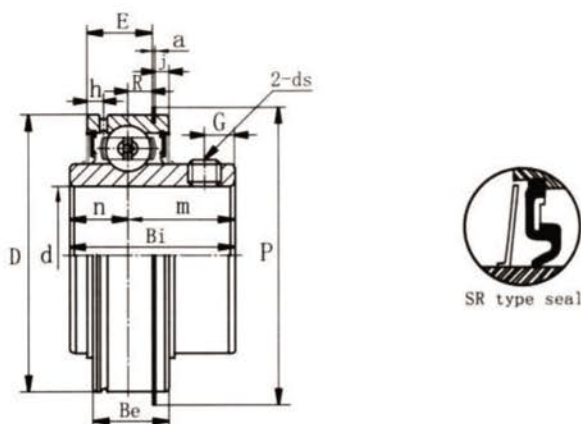


带止动环深沟球轴承 SER 200 Deep Groove Ball Bearing SER 200 With Snap Ring



轴承代号 Bearing	轴径 Shaft Dia.	外形尺寸 (英寸) 或 (毫米) Dimensions (in) or (mm)													额定动负荷 Basic Dynamic Load Rating	额定静负荷 Basic Static Load Rating	重量 Weight	
No.	d	D	Bi	Be	n	m	E	a	h	H	j	P	G	ds	(N)	(N)	(Kg)	
SER 201	12	1.8504	1.2205	0.6260	0.5000	0.7205	0.4760	0.0421	0.15575	0.1630	0.0969	2.0478	0.1890	1/4-28UNF	10100	6300	0.22	
201-8	1/2	47	31.0	15.9	12.7	18.3	12.09	1.07	4.0	4.14	2.46	52.7	4.8	M6X1.0	10100	6300	0.22	
SER 202	15	1.8504	1.2205	0.6260	0.5000	0.7205	0.4760	0.0421	0.1575	0.1630	0.0969	2.0748	0.1890	1/4-28UNF	10100	6300	0.22	
202-10	8/5	47	31.0	15.9	12.7	18.3	12.09	1.07	4.0	4.14	2.46	52.7	4.8	M6X1.0	10100	6300	0.22	
SER 203	17	1.8504	1.2205	0.6260	0.5000	0.7205	0.4760	0.0421	0.1575	0.1630	0.0969	2.0748	0.1890	1/4-28UNF	10100	6300	0.22	
203-11	11/16	47	31.0	15.9	12.7	18.3	12.09	1.07	4.0	4.14	2.46	52.7	4.8	M6X1.0	10100	6300	0.22	
SER 204-12	3/4	1.8504	1.2205	0.6260	0.5000	0.7205	0.4760	0.0421	0.1575	0.1630	0.0969	2.0748	0.1890	1/4-28UNF	10100	6300	0.21	
204	20	47	31.0	15.9	12.7	18.3	12.09	1.07	4.0	4.14	2.46	52.7	4.8	M6X1.0	10100	6300	0.21	
SER 205-14	7/8	2.0472	1.3740	0.7520	0.5158	0.8583	0.6020	0.0421	0.2047	0.2260	0.0969	2.2795	0.2205	1/4-28UNF	11000	7100	0.27	
205-15	15/16	25	52	34.9	19.1	13.1	21.8	15.29	1.07	5.2	5.74	2.46	57.9	5.6	M6X1.0	11000	7100	0.27
205-16	1																	
SER 206-18	1 1/8	2.4409	1.5000	0.8740	0.6260	0.8740	0.6701	0.0650	0.2205	0.2331	0.1291	2.6654	0.2205	1/4-28UNF	15300	10200	0.39	
206	30	62	38.1	22.2	15.9	22.2	17.02	1.65	5.6	5.92	3.28	67.7	5.6	M6X1.0	15300	10200	0.39	
206-19	1 3/16																	
206-20	1 1/4																	
SER 207-20	1 1/4	2.8346	1.6890	0.9370	0.6890	1.0000	0.7362	0.0650	0.2205	0.2645	0.1291	3.0944	0.2560	5/16-24UNF	20200	13900	0.56	
207-22	1 3/8	35	72	42.9	23.8	17.5	25.4	18.62	1.65	5.6	6.72	3.28	78.6	6.5	M8X1.0	20200	13900	0.56
207	35																	
207-23	1 7/16																	
SER 208-24	1 1/2	3.1496	1.9370	1.0945	0.7480	1.1890	0.8905	0.0650	0.2520	0.3433	0.1291	3.4094	0.3150	5/16-24UNF	22800	15900	0.72	
208	40	80	49.2	27.8	19.0	30.2	22.62	1.65	6.4	8.72	3.28	86.6	8.0	M8X1.0	22800	15900	0.72	
SER 209-26	1 5/8	3.3465	1.9370	1.0495	0.7480	1.1890	0.8905	0.0650	0.2520	0.3433	0.1291	3.6062	0.3150	5/16-24UNF	25600	18100	0.90	
209-27	1 11/16	85	49.2	27.8	19.0	30.2	22.62	1.65	6.4	8.72	3.28	91.6	8.0	M8X1.0	25600	18100	0.90	
209-28	1 3/4																	
209	45																	
SER 210-30	1 7/8	3.5433	2.0315	1.1260	0.7480	1.2835	0.8906	0.0949	0.2953	0.3275	0.1291	3.7992	0.3740	3/8-24UNF	27500	20200	0.93	
210-31	1 15/16	50	90	51.6	28.6	19.0	32.6	22.62	2.41	7.5	8.32	3.28	96.5	9.5	M10X1.0	27500	20200	0.93
210	50																	
210-32	2																	
SER 211-32	2	3.9370	2.1890	1.189	0.8740	1.3150	0.9535	0.0949	0.2952	0.3590	0.1291	4.1929	0.3740	3/8-24UNF	34000	25500	1.28	
211	55	100	55.6	30.2	22.2	33.4	24.22	2.41	7.5	9.12	3.28	106.5	9.5	M10X1.0	34000	25500	1.28	
211-35	2 3/16																	
SER 212-36	2 1/4	4.3307	2.5630	1.2520	1.0000	1.5630	1.0165	0.0949	0.2952	0.3905	0.1291	4.5905	0.4370	3/8-24UNF	41000	31500	1.71	
212	60	110	65.1	31.8	25.4	39.7	25.82	2.41	7.5	9.92	3.28	116.6	11.1	M10X1.0	41000	31500	1.71	
212-39	2 7/16																	