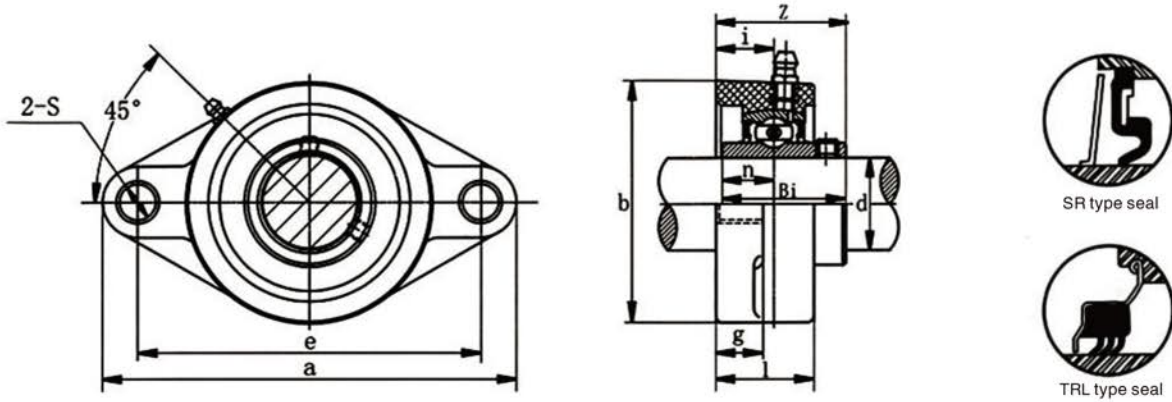


塑料菱形座 UCNFL 200 Plastic Two-Bolt Flange Housings UCNFL 200



材料：PBT Material: PBT
 实心底 Solid bottom
 标准不锈钢油嘴 Standard stainless steel grease nipple



带座轴承代号 Bearing unit	轴径 Shaft Dia.	外形尺寸 (英寸) 或 (毫米) Dimensions (in) or (mm)											螺栓 Bolt used	扭矩 Torque	轴承代号 Bearing	座代号 Housing	座重量 Housing weight	
No.	d	a	e	b	g	l	S	Z	i	Bi	n	No.	No.					
	(in)	(mm)												(mm)	(in.)	(N.m)		(Kg)
UCNFL201	12														SUC 201			
201-8	1/2														201-8			
UCNFL202-9	9/16	4 29/64	3 35/64	2 9/16	29/64	1 3/64	7/16	1 21/64	39/64	1.2205	0.5000	M10 3/8	18	SUC 202-9	NFL 203	0.08		
202	15														202			
202-10	5/8	113	90	65	11.4	26.5	11	33.7	15.4	31.0	12.7			202-10				
UCNFL203	17														SUC 203			
203-11	1 1/16														203-11			
UCNFL204-12	3/4	4 29/64	3 35/64	2 9/16	29/64	1 3/64	7/16	1 21/64	39/64	1.2205	0.5000	M10 3/8	18	SUC 204-12	NFL 204	0.08		
204	20	113	90	65	11.4	26.5	11	33.7	15.4	31.0	12.7			204				
UCNFL205-14	7/8														SUC 205-14			
205-15	15/16	5 5/32	3 57/64	2 47/64	17/32	1 9/64	7/16	1 7/16	43/64	1.3386	0.5630			205-15				
205	25	131	99	69.5	13.5	29.1	11	36.7	17	34.1	14.3	M10 3/8	25	205	NFL 205	0.10		
205-16	1														205-16			
UCNFL206-17	1 1/16														SUC 206-17			
206-18	1 1/8														206-18			
206	30	5 53/64	4 39/64	3 5/32	17/32	1 13/64	7/16	1 5/8	3/4	1.5000	0.6260	M10 3/8	30	206	NFL 206	0.13		
206-19	1 3/16	148	117	80	13.3	30.5	11	41.2	19	38.1	15.9			206-19				
206-20	1 1/4														206-20			
UCNFL207-20	1 1/4														SUC 207-20			
207-21	1 5/16														207-21			
207-22	1 3/8	6 29/64	5 1/8	3 35/64	4 1/64	1 19/64	33/64	1 45/64	45/64	1.6890	0.6890	M12 7/16	35	207-22	NFL 207	0.16		
207	35	164	130	90	16.1	32.8	13	43.4	18	42.9	17.5			207				
207-23	1 7/16														207-23			
UCNFL208-24	1 1/2	6 59/64	5 43/64	3 15/16	25/32	1 15/32	35/64	2 1/32	27/32	1.9370	0.7480	M12 7/16	40	SUC 208-24				
208-25	1 9/16	176	144	100	20	37.5	14	51.7	21.5	49.2	19.0			208-25	NFL 208	0.24		
208	40														208			
UCNFL209-26	1 5/8														SUC 209-26			
209-27	1 11/16	7 13/32	5 53/64	4 1/4	53/64	1 39/64	43/64	2 9/64	15/16	1.9370	0.7480			209-27				
209-28	1 3/4	188	148	108	21	41	17	54.2	24	49.2	19.0	M16 5/8	45	209-28	NFL 209	0.32		
209	45														209			
UCNFL210-30	1 7/8														SUC 210-30			
210-31	1 15/16	7 3/4	6 3/16	4 17/32	53/64	1 11/16	43/64	2 17/64	63/64	2.0315	0.7480			210-31	NFL 210	0.42		
210	50	197	157	115	21	43	17	57.6	25	51.6	19.0	M16 5/8	50	210				