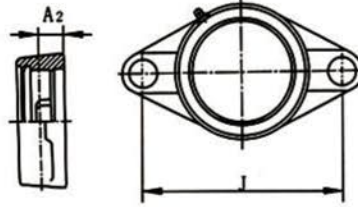
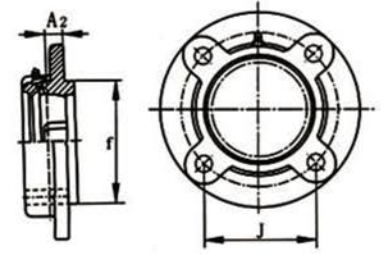


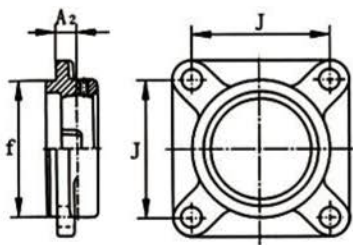
F,FS2-Type



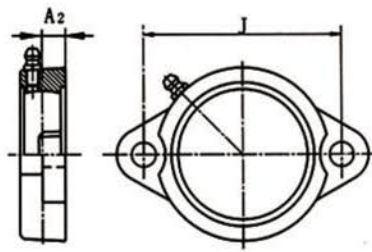
FL,FT-Type



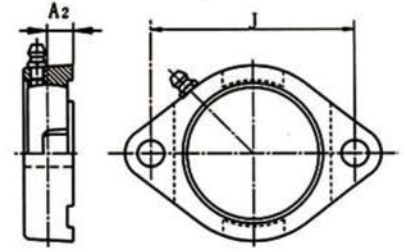
FC-Type



F,FS2-Type



FL,FT-Type

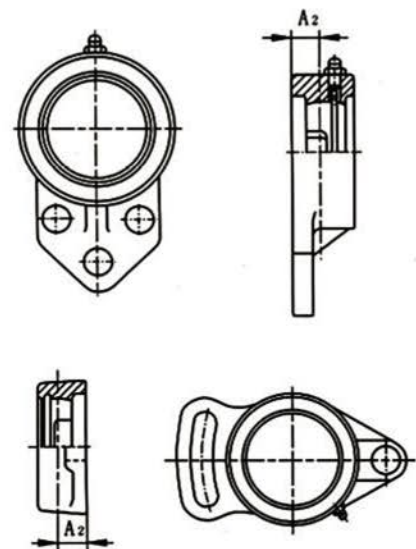


FC-Type

Flange Housing Units 法兰座

表9 Table9

座的代号 Housings		偏差 Deviations
NO.		A2
Fb204	F204	± 500
FB205	F205	± 500
FB206	F206	± 500
FB207	F207	± 500
FB208	F208	± 500
FB209	F209	± 500
FB210	F210	± 500
FB211	F211	± 800
FB212	F212	± 800
Fb213	F213	± 800



注:A2-安装表面到轴承中心线间距离

Notes:A2-Bearing centering distance from mounting surface.